

ALARM SETTER

MT-DA

FEATURE

- 4 Popular Input Ranges Programmable in One
- Modular Design, Easy Maintain and Save Stock;
- Changeable Input Module Between V/mA, Pt100, Potentiometer, Strain Gauge and Output Module Between V/mA, Trip Relay with difference programming module
- Dual trip relay output available
- CE Approved

WWW.TRANDUCERSANDMETERS.COM



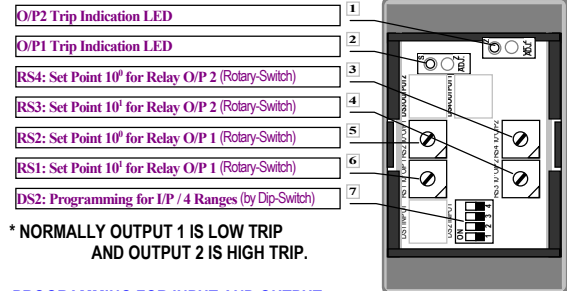
SPECIFICATION

Input Range	Input Impedance	Input Range	Input Impedance
0 ~ 10 mV	≥ 1M ohm	0 ~ 100 μA	≤ 1000 ohm
0 ~ 50 mV	≥ 1M ohm	0 ~ 1 mA	≤ 100 ohm
0 ~ 100 mV	≥ 1M ohm	0 ~ 10 mA	≤ 20 ohm
0 ~ 1 V	≥ 1M ohm	0 ~ 20 mA	≤ 10 ohm
0 ~ 5 V	≥ 1M ohm	4 ~ 20 mA	≤ 10 ohm
0 ~ 10 V	≥ 1M ohm	0 ~ 1 A	0.05 ohm
1 ~ 5 V	≥ 1M ohm	0 ~ 5 A	0.02 ohm
2 ~ 10 V	≥ 1M ohm		
-10 ~ 0 ~ +10 V	≥ 1M ohm		
0 ~ 150 V	≥ 1M ohm		
0 ~ 300 V	≥ 1M ohm		
0 ~ 600 V	≥ 1M ohm		

Response time:	≤ 250 msec.
Setpoint adjustment:	10 position rotary switch Setting Range: 00% ~ 99% rated of input ±0.1% + 1%(Hi trip) or ±0.1% -1%(Low trip)
Trip point:	±0.1% + 1%(Hi trip) or ±0.1% -1%(Low trip)
Differential:	Preset at 1%, 1 ~ 10%(specify)
Trip indication LED:	Red light turn on when the coil is energized
Relay contacts:	AC 110V/1A, 220V/0.5A DC 30V/1A Normal open standard
Power Supply:	AC 115 or 230V ±10%, 50/60 Hz Changeable by jumper inside Option: DC 12V, 24V, 48V ±10%, (Isolated)
Power consumption:	DC 5W, AC 6.5VA
Operating temperature:	0~60 °C
Operating relative humidity:	20~95 %RH
Temperature coefficient:	≤ 100 PPM/°C
Storage temperature:	-10~70 °C
Isolation:	Between Power / Input / Contacts
Insulation resistance:	≥ 100M ohm at 500Vdc
Surge test:	4 KV, 1.2 x 50 μs sec. Common mode & differential mode
Dielectric Strength:	AC 2.0 KV for 1 min
Standard:	Between Power / Input / Contacts / Case Comply with EN50081-1, EN50082-2

Dimensions: 50mm(W) x 87mm(H) x 123mm(D)-with socket
Mounting: Surface and DIN rail 35mm WIDE
Weight: 500g

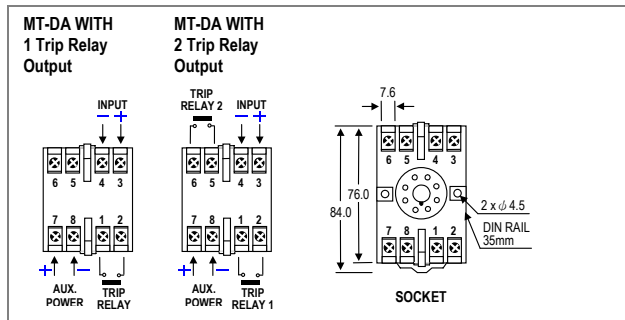
ADJUSTMENT



PROGRAMMING FOR INPUT AND OUTPUT:

SIGNAL RANGE	INPUT		TRIP RELAY 1		TRIP RELAY 2		
	DS1	DS2(7)	SET	RS1(6)	RS2(5)	RS3(4)	RS4(3)
1 ~ 5 V	NA	ON	49%	ON	ON	ON	ON
0 ~ 10V	NA	ON	25%	ON	ON	ON	ON
0 ~ 20 mA	NA	ON	10%	ON	ON	ON	ON
4 ~ 20 mA	NA	ON	0%	ON	ON	ON	ON

CONNECTION DIAGRAM & SOCKET



ORDER INFORMATION

MT-DA-	Input Type	Input Range	Output 1	Output 2	Aux. Power
	CODE INPUT	CODE INPUT	CODE INPUT	CODE OUTPUT	CODE AUX. POWER
	D DC	A1 0 ~ 100 μA	V1 0 ~ 10 mV	H Trip Relay H	A1 AC 115 V
	A AC	A2 0 ~ 1 mA	V2 0 ~ 50 mV	L Trip Relay L	A2 AC 230 V
		A3 0 ~ 10 mA	V3 0 ~ 100 mV	N None	D12 DC 12 V
		A4 0 ~ 20 mA	V4 0 ~ 1 V		D24 DC 24 V
		A5 4 ~ 20 mA	V5 0 ~ 5 V		D48 DC 48 V
		A6 0 ~ 1 A	V6 0 ~ 10 V		O Specify
		A7 0 ~ 5 A	V7 1 ~ 5 V		
		P Programmable 4 Ranges: 1~5V/0~10V 0~20mA/4~20mA	V8 2 ~ 10 V		
			V9 -10 ~ +10 V		
			VA 0 ~ 150 V		
		O Specify	VC 0 ~ 600 V		
			O Specify		

Note: Unit is calibrated and programmed in factory accord order, unit opened by customer for re-program or re-cal may loose guarantee.

D-8