

# RTD TRANSMITTER

# MT-RTD

## FEATURE

- 4 Popular Input and Output Ranges Programmable in One
- Modular Design, Easy Maintain and Save Stock;
- Changeable Input Module Between V/mA, Pt100, Potentiometer, Strain Gauge and Output Module Between V/mA, Trip Relay with difference programming module
- CE Approved

[WWW.TRANSDUCERSANDMETERS.COM](http://WWW.TRANSDUCERSANDMETERS.COM)



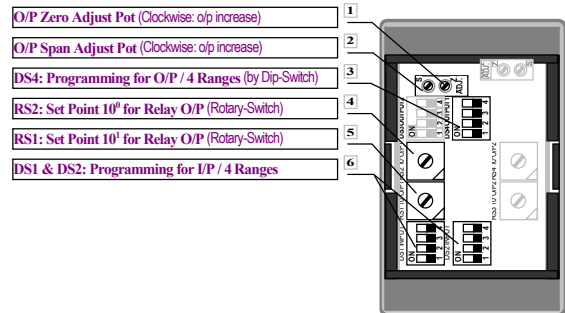
## SPECIFICATION

Input Range	Input Impedance	Output Range	Load Resistance
Pt100 Ω -100 ~ 800°C	≥ 10M ohm	0 ~ 100 mV	≥ 100K ohm
		0 ~ 1 V	≥ 50 ohm
		0 ~ 5 V	≥ 250 ohm
		0 ~ 10 V	≥ 500ohm
		1 ~ 5 V	≥ 250 ohm
		2 ~ 10 V	≥ 500ohm
		-10 ~ 0 ~ +10 V	≥ 1K ohm
		0 ~ 1 mA	≤ 15K ohm
		0 ~ 10 mA	≤ 1500 ohm
		0 ~ 20 mA	≤ 750 ohm
		4 ~ 20 mA	≤ 750ohm

- Accuracy: ±0.1% of R.O.
- RTD type: DIN Pt100 Ω, JIS Pt100 Ω  
Option: other RTD type likes Cu10, Ni120...
- Sensing current: About 1.5 mA
- Response time: ≤ 250 msec.
- Span adjustment: ≤ 10% of R.O.
- Zero adjustment: ≤ 5% of R.O.
- Output ripple: ≤ 0.1% of R.O.
- Sensor break protection: Upscale standard
- Relay contact: AC 110V/1A, 220V/0.5A, Normal Open
- Power Supply: AC 115 or 230V ±10%, 50/60 Hz  
Changeable by jumper inside  
Option: DC 12V, 24V, 48V ±10%, (Isolated)  
DC 5W, AC 6.5VA
- Power consumption: DC 5W, AC 6.5VA
- Operating temperature: 0~60 °C
- Operating relative humidity: 20~95 %RH
- Temperature coefficient: ≤ 100 PPM/°C
- Storage temperature: -10~70 °C
- Isolation: Between Power / Input / Output
- Insulation resistance: ≥ 100M ohm at 500Vdc
- Surge test: 4 KV, 1.2 x 50 μ sec.  
Common mode & differential mode
- Dielectric Strength: AC 2.0 KV for 1 min  
Between Power / Input / Output / Case
- Standard: Comply with EN50081-1, EN50082-2
- Dimensions: 50mm(W) x 87mm(H) x 123mm(D)-with

Mounting: Surface and DIN rail 35mm WIDE  
Weight: 500g

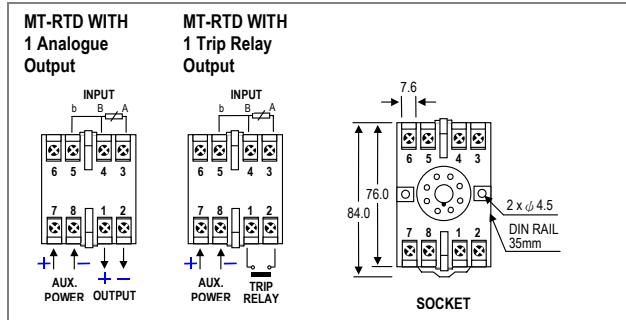
## ADJUSTMENT



### PROGRAMMING FOR INPUT AND OUTPUT:

SIGNAL RANGE		INPUT		OUTPUT RANGE	OUTPUT
P1	P2	DS1(6)	DS2(6)	RANGE	DS4(3)
-50 ~ +0°C	0 ~ 50°C			1 ~ 5 V	
-50 ~ +50°C	0 ~ 100°C			0 ~ 10V	
-50 ~ +100°C	0 ~ 200°C			0 ~ 20 mA	
-50 ~ +200°C	0 ~ 400°C			4 ~ 20 mA	

## CONNECTION DIAGRAM & SOCKET



## ORDER INFORMATION

MT-RTD- Input Range - Output Range - Aux. Power

Note: Unit is calibrated and programmed in factory accord order, unit that is opened by

customer for re-program may loose the guarantee.

CODE	INPUT RANGE	CODE	INPUT RANGE
A	-50 ~ +50°C	P1	Programmable 4 Ranges: -50~0°C/-50~+50°C -50~100°C/+50~200°C
B	0 ~ 50°C		
C	0 ~ 100°C		
D	0 ~ 200°C		
E	0 ~ 400°C	P2	Programmable 4 Ranges: 0~50°C/0~100°C 0~200°C/0~400°C
F	0 ~ 600°C		
G	0 ~ 800°C		
O	Specify		

Current		Voltage	
CODE	OUTPUT	CODE	OUTPUT
A	0 ~ 1 mA	1	0 ~ 100 mV
B	0 ~ 10 mA	2	0 ~ 1 V
C	0 ~ 20 mA	3	0 ~ 5 V
D	4 ~ 20 mA	4	0 ~ 10 V
P	Programmable 4 Ranges: 1~5V/0~10V 0~20mA/4~20mA	5	1 ~ 5 V
		6	2 ~ 10 V
		7	-10 ~ +10 V
H	Trip Relay H	L	Trip Relay L
O	Specify	O	Specify

Aux Power	
CODE	AUX. POWER
A1	AC 115 V
A2	AC 230 V
D12	DC 12 V
D24	DC 24 V
D48	DC 48 V
O	Specify