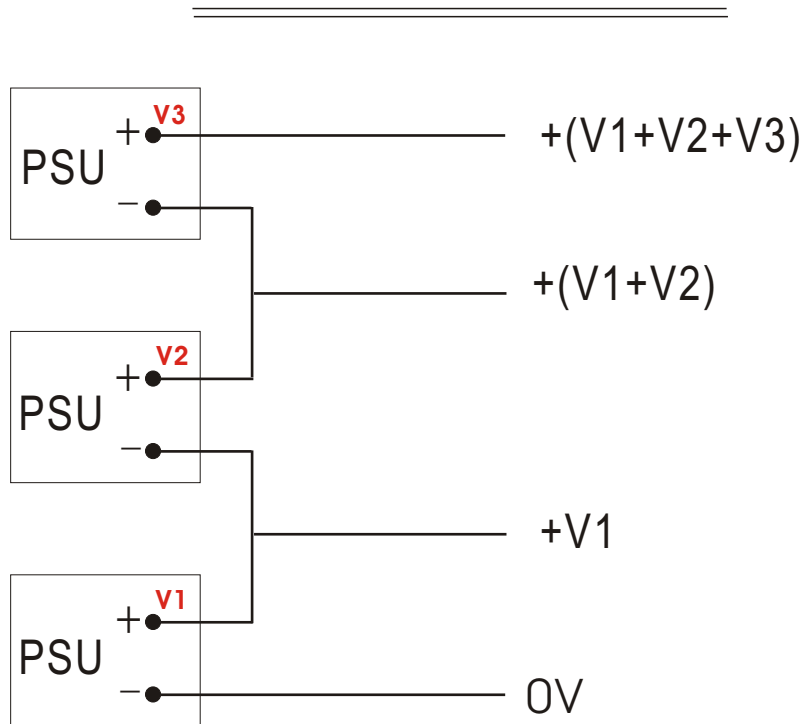




Series Connection Circuit

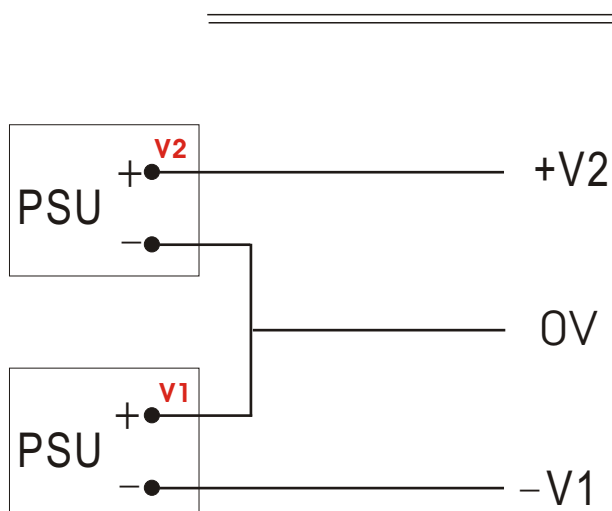
Picture 1



PS: $V_1 \sim V_x$ can be any voltage
 $V_1 \sim V_x$

Split Rail Connection Circuit

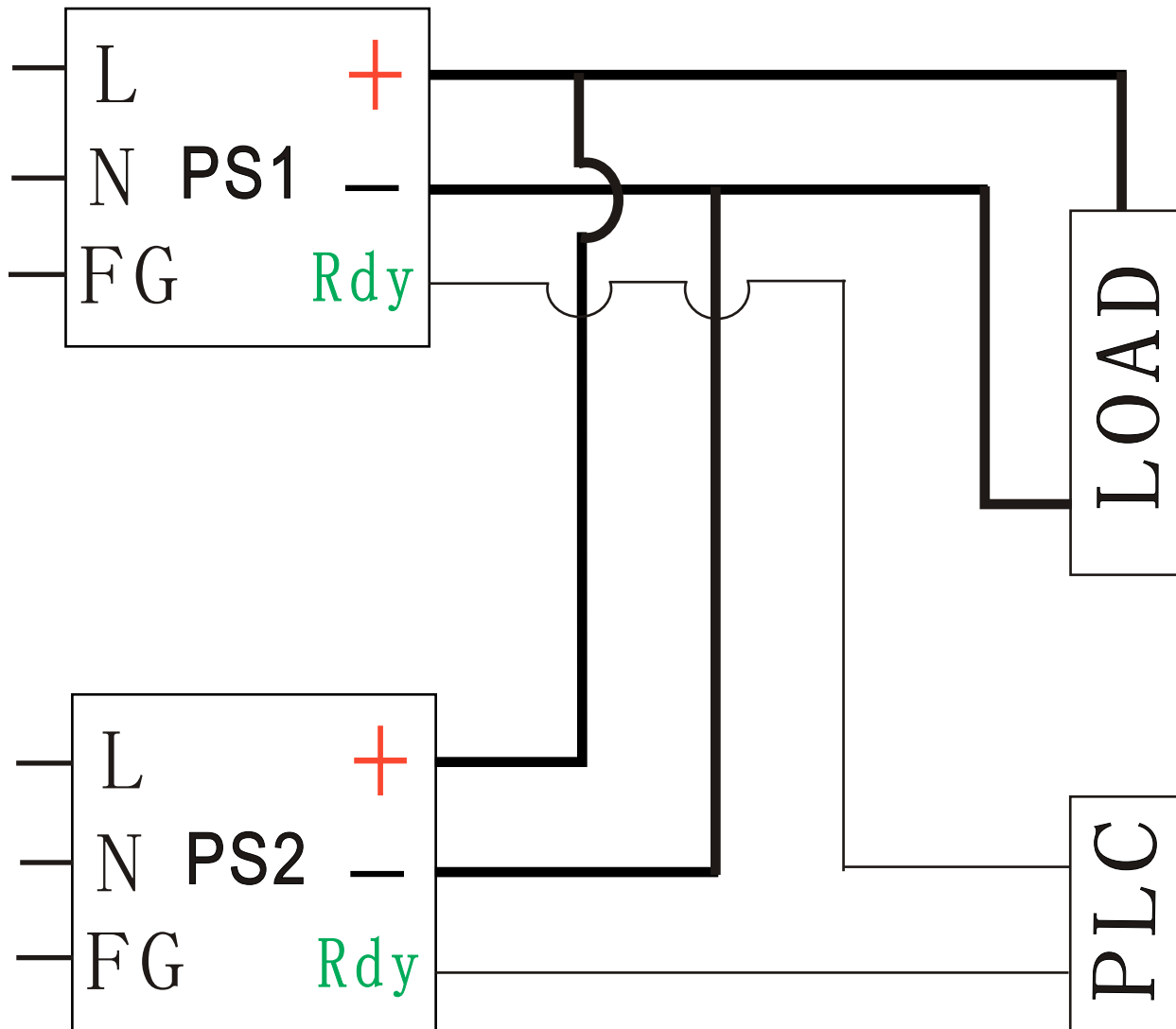
Picture 2





Redundant Use Connection Circuit

Picture 3

**NOTE:**

The line total output generated from the remaining PSU is the same.

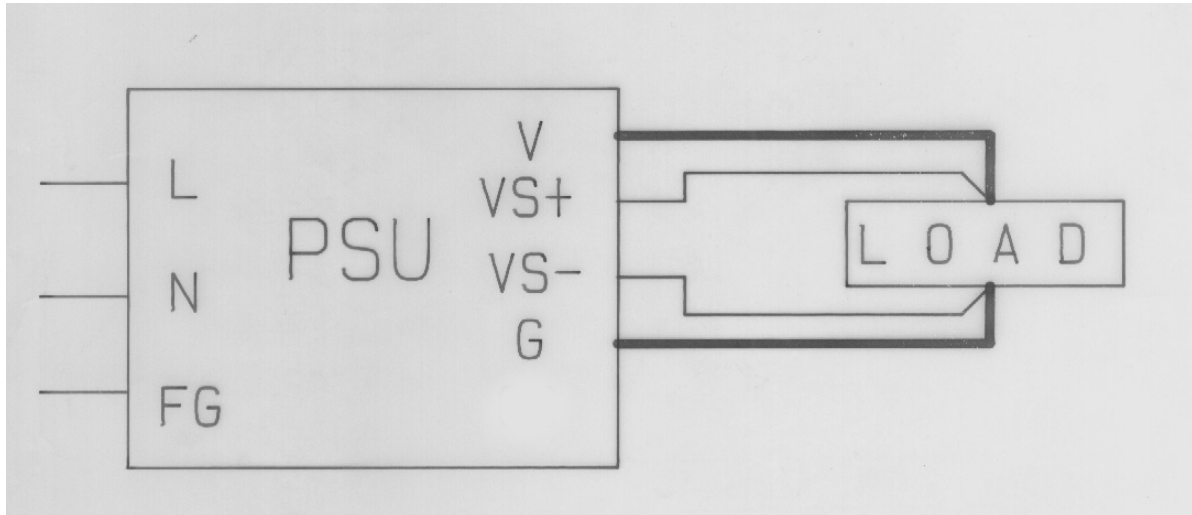
$PS1 = PS2 = \dots = PSn = PS(\text{Output})$

$PS1 = PS2 = \dots = PSn = PS$



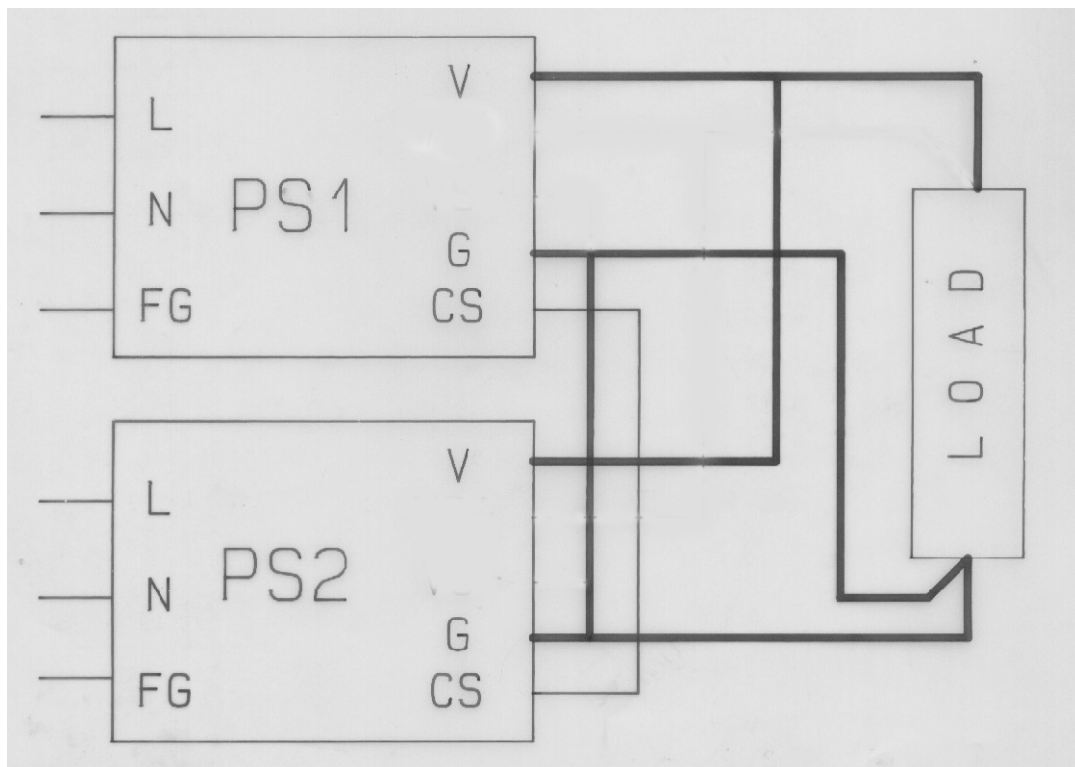
Normal Use With Remote Senser Circuit

Picture 4



Parallel Use With Current Share Connection Circuit

Picture 5



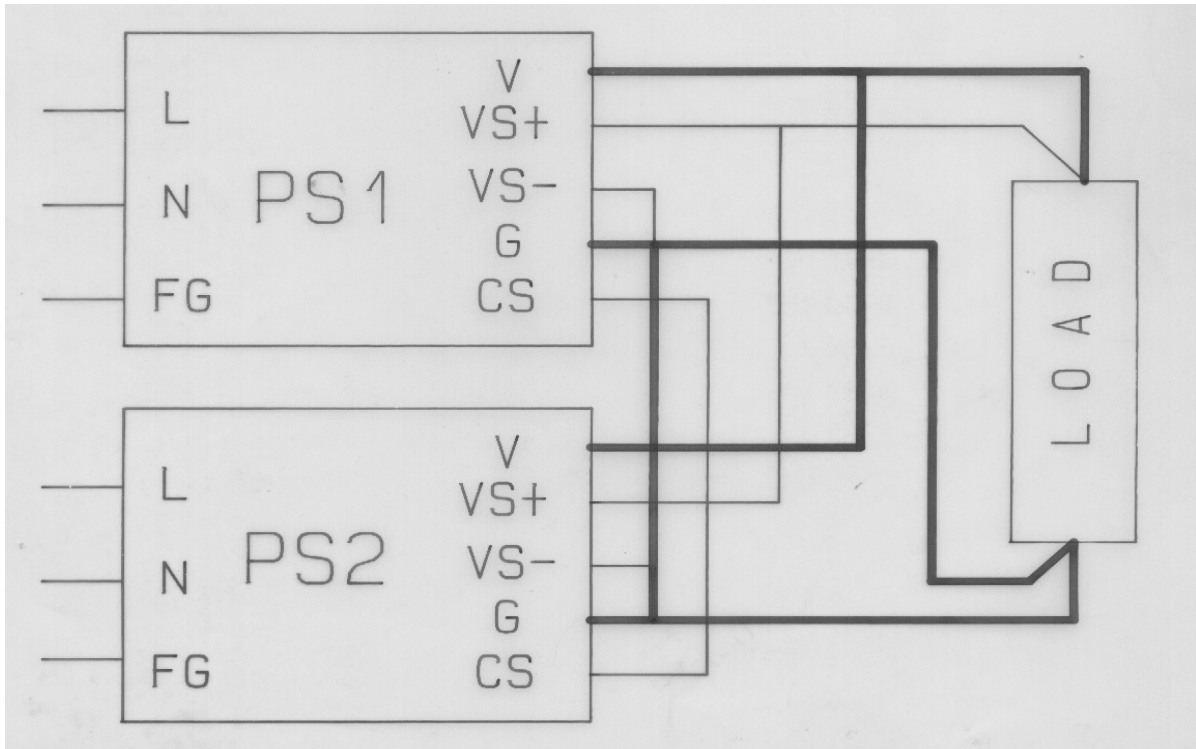
Total Output Current = PS1 + PS2 + + PSn

總輸出電流 = PS1 + PS2 + + PSn



Parallel Use With Remote Sense & Current Share Connection Circuit

Picture 6



Total Output Current = PS1 + PS2 + + PSn

總輸出電流 = PS1 + PS2 + + PSn